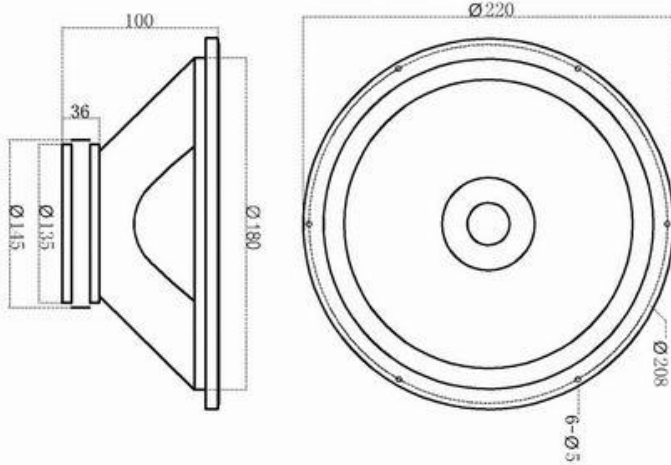


Full Range Speaker Unit

Audio Nirvana Super 8 Ferrite



Specifications & Thiele/Small Parameters

Impedance:	8 Ohm
Frequency Range:	Fo-20Khz
S.P.L.:	95dB
Rated Input:	30W
Music Power:	50W
Fs :	56.901Hz
Re:	6.8 Ohm
Mms:	12.117g
BL:	8.074TM
Qts:	0.39
Qms:	2.846
Qes:	0.452
Vas:	43.987 L
Xmax:	1 MM
Frame:	Cast
Cone & Sub:	Paper
Surround:	Fabric
Damper	Conex
Vc Diameter:	φ35 KSV 0.09*0.40 CCAR
Magnet:	145X75X20 Y30
Short Ring:	Cu Cap
Center Cap:	AL Phase Plug(Gold)
Net Weight:	3.55Kg

